

Dispermill Discovery 100®

Laboratory Dissolver

INNOVATION

User-friendly is the key element for the innovative Dispermill Discovery 100. With many improved features such as an optimized control system, compact solvent resistant tempered glass touch screen and a multi jog LED interface knob that provides you much faster control on the menu. The Dispermill Discovery 100 is the machine to upgrade your research and development processes.

CREATED FOR YOU

The revolutionary design of this laboratory dissolver is more compact than ever and provides enhanced ease of operation. The Dispermill Discovery 100 offers an electronically adjustable frame. Besides, the stainless steel design is chemical resistant and easy to clean.

APPLICATION

The Dispermill Discovery 100 offers both fine milling and vacuum options. To meet your personal research and development requirements different stainless steel dispersing, mixing and milling elements can be added.

FEATURES

- ✓ Optimized Control System
- ✓ Compact solvent resistant touch screen
- ✓ LED Interface knob
- ✓ Adjustable timer with automatic stop
- ✓ Readout of kW, tip speed and temperature
- ✓ Reduced noise level
- ✓ Programmable temperature alarm

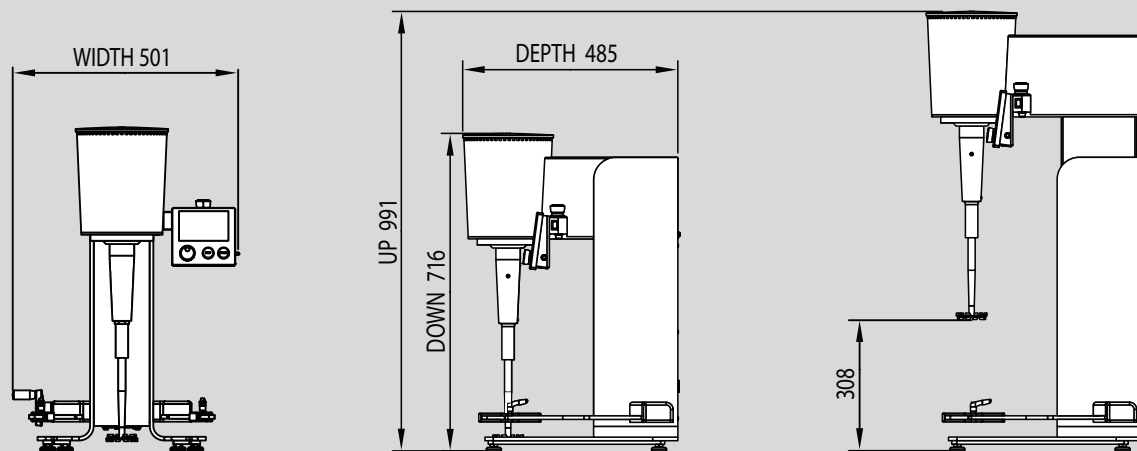


Dispermill Discovery 100

Order code

0,75 kW, 1HP, 0 - 12.000 RPM, 500 ml - 10 L

10-5100



TECHNICAL SPECIFICATIONS

Power	0,75 kW / 1 HP
Supply	230 V +/- 10% 50/60 Hz
Cooling	Low noise ventilator
Speed	0 till 12.000 RPM
Torque	1,3 Nm
Thermal protection	PTC Temperature sensors
Electrical connection	1.5 m power cord with C13 plug
Volume range vessel	500 ml - 10 L
Diameter vessel	80 - 260 mm (min. - max.)
Height vessel	85 - 280 mm (min. - max.)
Dispersing disc	70 mm (interchangeable)
Dimensions (in mm)	485 x 501 x 716/991 (D x W x H)
Weight	55 KG
Digital Control Panel	5" TFT color touch panel
Countdown Timer	Adjustable from 1 min till 20 hours
Safety CE	Conformity Directive 2006/42/EC

OPTIONS

